

Thank you for your supporting of Ferei Professional LED product.

It's our honour to be at your service

Features

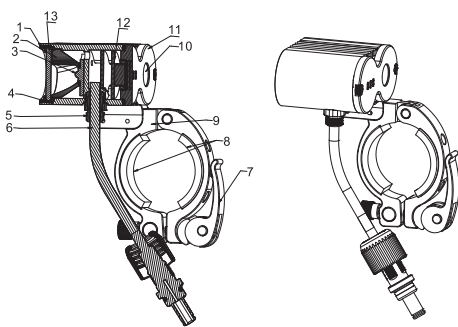
1. High-power CREE LED with a lifespan of up to 100,000 hours.
2. Surface-coated optical glass lens resists abrasions and scratches, also provides an effective transmittance.
3. Aircraft-grade aluminum body, processed through CNC machine center, is tough and exquisite.
4. Surface is anodic oxidation finished.
5. Designed with toughened glass switch on the back of the light, beautiful and also convenient to operate.
6. Waterproof grade: IPX4.
7. Advanced battery power indicator lights to indicate level of charge.
8. Unique, compact twin-head design, delicate appearance.
9. Brightness options: Max - Med (user-defined) - off - four kinds strobe/SOS.
10. The BL800C features a unique thermostatic circuit to regulate temperature and prevent overheating.
11. Light circuit with battery discharge protection function, cell circuit also has discharge protection function. Double insurance to ensure the security of the lamp and the life of the battery.
12. Multi-purpose DC cable conveniently attaches to both Ferei 7.4V battery pack
13. Aluminum quick release mount can easily fix the lamp onto the bicycle bar.
14. Ferei patent moon-shape reflector provides a further distance and also spreads the nearby beam to get a wider range.

Specifications

Type	BL800C														
LED	2*CREE XP-G LED (Cool White)														
ANSI/FSC	Max	USER-DEFINED										slow strobe	fast strobe	police strobe	SOS
Light PER	100%	10%	20%	30%	40%	50%	60%	70%	80%	90%	100%	100%			
Output(LM)	680LM	68	136	204	272	340	408	476	544	612	680	680LM			
LED	2*CREE XP-G LED (Neutral White)														
ANSI/FSC	Max	USER-DEFINED										slow strobe	fast strobe	police strobe	SOS
Light PER	100%	10%	20%	30%	40%	50%	60%	70%	80%	90%	100%	100%			
Output(LM)	640LM	64	128	192	256	320	384	448	512	576	640	640LM			
Runtime (indoor static testing at 28°C at max output)	5 Hours														
Range	over 270 meters														
Maximum intensity	45000CD														
Waterproof grade	IPX4														
Anti-drop	1 meter														
Dimension	48.8x38x33.5mm(LxWxH)(Excluding bracket)														
Battery	BP4872B lithium-ion battery pack														
Weight	111g(Excluding battery)														

Diagram

* Photos are for reference only, products in kind prevail!



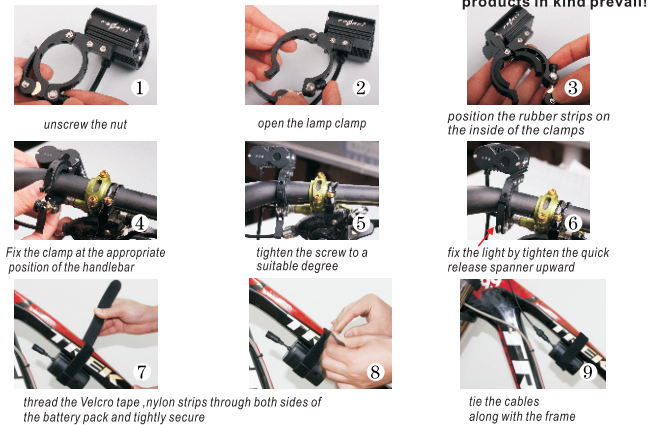
1. Lens locking ring
3. LED
5. waterproof screw
7. Quick Release Bracket
9. Bracket
12. Driver board
2. Reflector
4. Main body
6. Power Cable
8. Silicone pad
10. Switch
11. Tail cap
13. Lens

Usage instructions

1. Press the switch at the end of the flashlight to turn it on/off.
2. **BL800C provides three lighting options:**
 - 1) Maximum brightness: 100% output.
 - 2) User-defined brightness: ten selectable modes ranging from 10% to 100% output.
 - 3) Strobe / SOS modes: slow strobe, fast strobe, police strobe and SOS.
3. **Operation instruction:**
To turn the BL800C on, briefly press the power switch. The default setting is maximum brightness (100% output).
To access user-defined mode: with the BL800C turned on (in either max or user-defined mode), hold the power switch down for more than 2 seconds and the BL800C will cycle through 10 levels of output. When a desired output is displayed simply release the button to set the brightness. (The brightness of user-defined mode is memorable).
The BL800C has 4 hidden SOS / strobe modes. To access any one of these modes, with the BL800C switched off, simply hold down the rubber switch for 2 seconds and release. To cycle to the next mode, once again hold the switch for 2 seconds and release. To exit strobe mode press the switch once briefly.
4. **Battery indication:** The lamp is equipped with the three indicator lights which blink in accordance with the battery's state of charge as described below:
100% - 75% charge: 3 indicator lights on
75% - 50% charge: 2 indicator lights on
50% - 25% charge: 1 indicator light on
below 25% charge: 1 indicator light is blinking and the brightness is automatically reduced to low lumens (about 50 lumens).
5. **Low battery shut off:** when the battery capacity gets very low, the lamp will shut off automatically. It should be recharged before next use.

Installation Instructions

* Photos are for reference only,



Warnings & Tips

In order to avoid accidents, please pay attention to the following tips:

1. Recharging is finished when the LED indicator turns to green.
2. The battery pack remains at a normal temperature during recharging. If it gets unusual hot, do stop recharging.
3. Do not disassemble the charger kit by yourself if the battery couldn't be recharged.
4. The battery can be used at any time once being recharged. If it is left unused for long periods, it should be recharged for 6-8 hours every three months. After being charged they should be slightly discharged for 10-20 minutes before storage.
5. Be sure to always recharge the battery pack in a safe place and do not leave unattended while charging.

Intelligent Temperature Control Instructions

The flashlight is designed with the Intelligent temperature control system. As we know, LED is a component which can make heat and is sensitive to the temperature, it will be damaged or its working life will be shortened by the overheat temperature, especially the powerful and brightness LED. So the Intelligent temperature control system works when the flashlight's designation and structure cannot realize the heat-radiation temperature from the high brightness LED lighting. The system controls the temperature of the LED lamp wick, obviously, the flashlight gets different Thermal Conductivity with different structure, and generally speaking, the surface temperature of the flashlight constant between 50°C to 60°C, when the flashlight runs heat, the Intelligent temperature control function will help to reduce the power to cool down the lamp wick, the brightness of the light will corresponding fell and get lower. And in comparison outdoor using with the indoor using, outdoor area using will get wind to cool it down and heat-radiation is better, the LED will crank up the power and the lights become brighter, and the process of ascension brightness will smooth and slow without flashes.

At the same time, the intelligent temperature control system will lead the run time get longer (may be the standard of twice to five times). Particularly, the run time will depend on the temperature, running speed even the wind strength, so the actually run time will be a little different according to the environment of the flashlight using.

Maintenance

1. Using a soft cloth clean the glass lens periodically to keep an efficient penetration (never use corrosive cleanser).
2. Keep water, dirt, sand and debris out of the cable connections and light body.
3. Unplug the battery pack from the light when not in use to help extend battery life.
4. When riding in damp weather dry the light and battery immediately after use.

Warning

1. It is a lighting tool, not a toy. Keep it away from children.
2. It should not be aimed directly at the eyes of humans or animals.
3. Aim the beam down when riding on the road to avoid blinding oncoming vehicles.
4. The lens and front area of the light can get hot while in use. Avoid touching these areas.
5. Do not dismantle the light or the battery pack, this will break the waterproof seal and void warranty.
6. The BL800C's power source is a 7.4V lithium-ion battery pack coupled with a protection circuit board. Should the battery pack ever fail to charge or cease normal operation, be sure to contact your local Ferei dealer and under no circumstances attempt self-repair.
7. Dry the lights surface with a soft cloth after exposure to water or any corrosive substance.

☆☆☆ patented product, counterfeiting not allowed ☆☆☆

Shenzhen FEREI Lighting Co., Ltd

Address: 3rd Industrial Zone, Xiakeng Village, Tongle, Longgang District, Shenzhen 518116 China
TEL: 0086 755 8480 7942 / 0086 755 8480 7943
FAX: 0086 755 8480 7944 E-mail: ferei@ferei.com
Web: <http://www.ferei.com>